

**390 Series  
4 & 6 Gallon  
Stainless Steel  
and Painted**

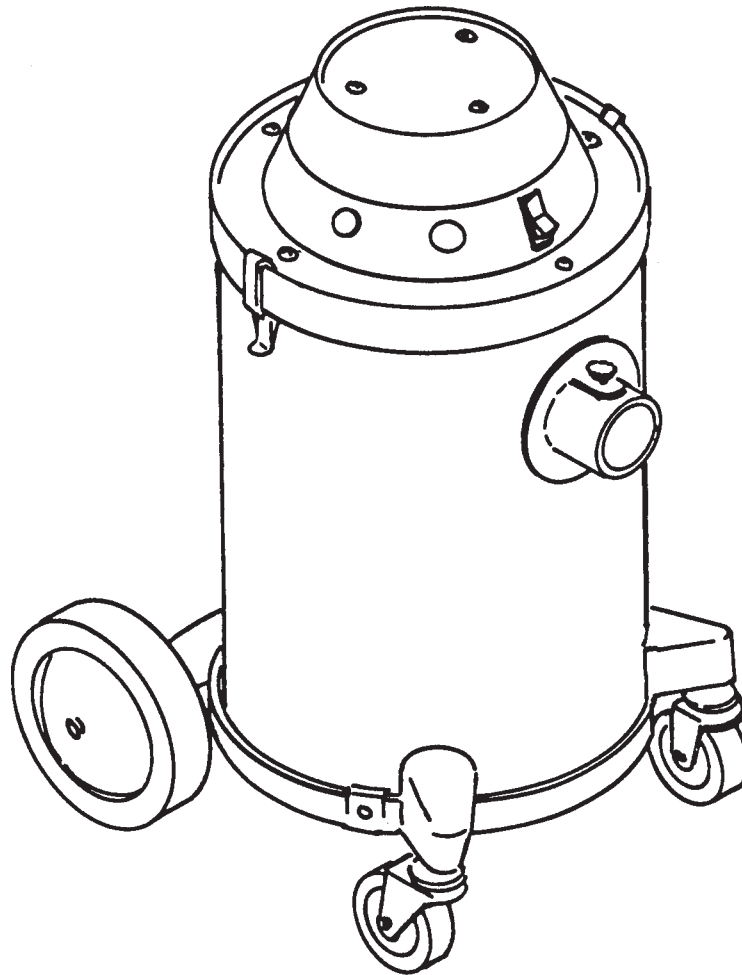
**Model:  
C39485-01, 03  
C39485-11, 13  
C39486-01, 03**

**OPERATION**

**SERVICE**

**PARTS**

**CARE**



Revised 2/94

**Minuteman<sup>®</sup>**

# FOR COMMERCIAL USE ONLY

## IMPORTANT SAFETY INSTRUCTIONS

When using an electrical appliance, basic precautions should always be followed, including the following:

### READ ALL INSTRUCTIONS BEFORE USING

### WARNING - To reduce the risk of fire, electric shock, or injury:

- Do not leave appliance when plugged in. Unplug from outlet when not in use and before servicing.

### WARNING: (390-6) C39685-01, 03 Wet and Dry

To avoid electric shock, do not expose to rain, store indoors.

### WARNING: (390-4) C39485-01, 03, 11, 13 Dry Only

To reduce the risk of electrical shock - Do not expose to rain. Store indoors.

- Do not allow to be used as a toy. Close attention is necessary when used by or near children.
- Use only as described in this manual. Use only manufacturer's recommended attachments.
- Do not use with damaged cord or plug. If appliance is not working as it should, has been dropped, damaged, left outdoors, or dropped into water, return it to a service center.
- Do not pull or carry by cord, use cord as a handle, close a door on cord, or pull cord around sharp edges or corners. Do not run appliance over cord. Keep cord away from heated surfaces.
- Do not unplug by pulling on cord. To unplug, grasp the plug, not the cord.
- Do not handle plug or appliance with wet hands.
- Do not put any object into openings. Do not use with any opening blocked; keep free of dust, lint, hair, and anything that may reduce air flow.
- Keep hair, loose clothing, fingers, and all parts of body away from openings and moving parts.
- Do not pick up anything that is burning or smoking, such as cigarettes, matches, or hot ashes.
- Do not use without dustbag and/or filters in place.
- Turn off all controls before unplugging.
- Use extra care when cleaning on stairs.
- Do not use to pick up flammable or combustible liquids such as gasoline or use in areas where they may be present.
- Connect to a properly grounded outlet only. See grounding instructions.

## SAVE THESE INSTRUCTIONS

## INSPECTION

Carefully unpack and inspect your machine for shipping damage. Each unit is tested and thoroughly inspected before shipment, and any damage is the responsibility of the delivery carrier who should be notified immediately.

## ELECTRICAL

This machine is designed to operate on a standard 15 amp, 115 volt, 60 hz, AC circuit. Voltages below 105 volts AC or above 125 volts AC could cause serious damage to the motor.

## WARNING

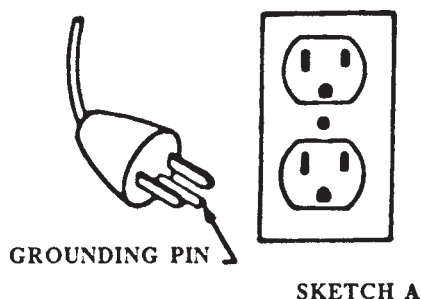
Electric motors can cause explosions when operated near explosive materials or vapors. Do not operate this machine near flammable materials such as solvents, thinners, fuels, grain dust, etc.

## GROUNDING INSTRUCTIONS

This appliance must be grounded. If it should malfunction or breakdown, grounding provides a path of least resistance for electric current to reduce the risk of electric shock. This appliance is equipped with a cord having an equipment-grounding conductor and grounding plug. The plug must be plugged into an appropriate outlet that is properly installed and grounded in accordance with all local codes and ordinances.

**DANGER** - Improper connection of the equipment-grounding conductor can result in a risk of electric shock. Check with a qualified electrician or service person if you are in doubt as to whether the outlet is properly grounded. Do not modify the plug provided with the appliance -- if it will not fit the outlet, have a proper outlet installed by a qualified electrician.

This appliance is for use on a nominal 120-volt circuit and has a grounding plug that looks like the plug illustrated in sketch A below. Make sure that the appliance is connected to an outlet having the same configuration as the plug. No adapter should be used with this appliance.



# **USER MAINTENANCE INSTRUCTIONS**

All service and repair should be performed by qualified vacuum service representative or electrician. No user serviceable components are employed in the electrical vacuum lid head assembly. No lubrication of the motor is required.

## **CLOTH BAG & HOSE ASSY**

Cloth bag and hose assy. are user maintenance items and can be replaced when worn out. Cloth bags can be maintained by blowing dust off of the bag and then laundered. Cloth bags should be completely dried before re-installing into machine. For optimum performance, empty and clean filter bag regularly. A clogged and dirty bag restricts the flow of air and results in reduced vacuum. 390-6 Wet & Dry Models Only, remove the dry dust filter bag. Check the automatic shut-off to be certain it is working properly. The Hose Assy can be maintained by wiping off with a dampened cloth of mild liquid soap and water, then allowed to dry.




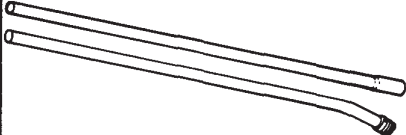



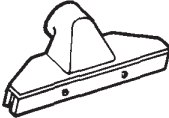
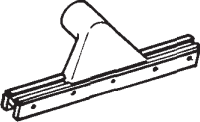
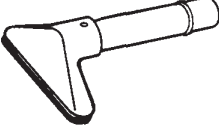

## **CORD STORAGE**

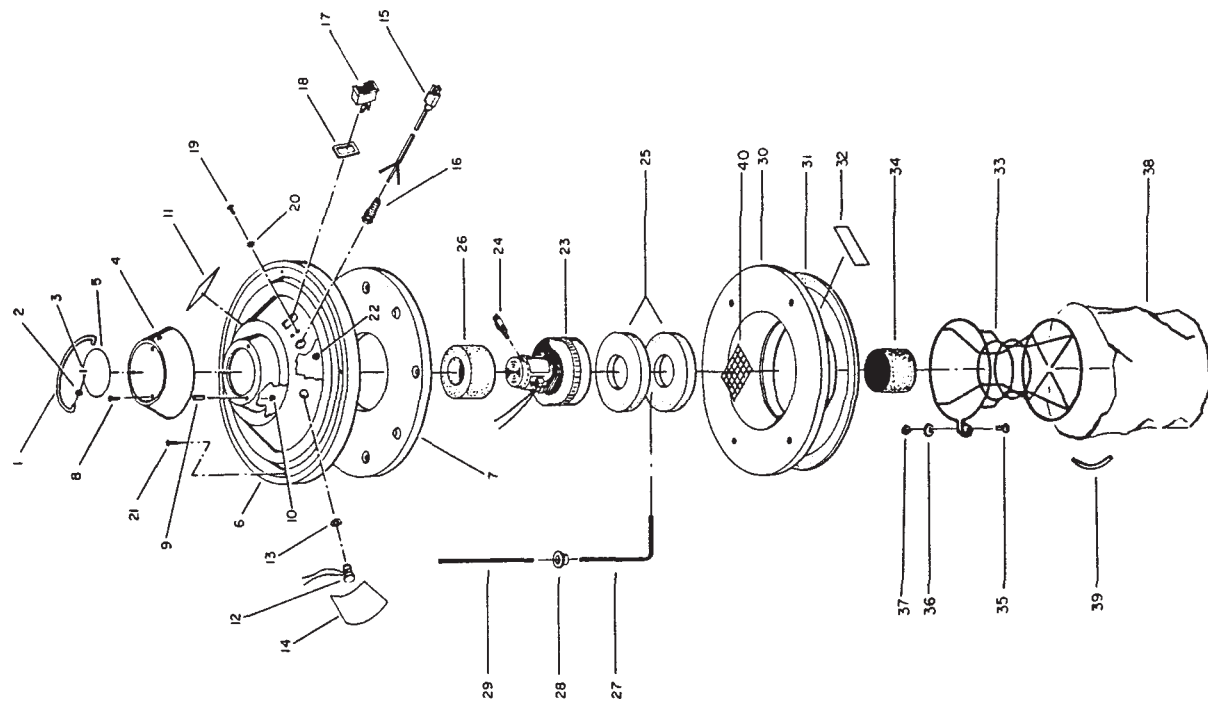
While not in use storage can be accomplished by winding cord around motor lid assy. Cord should be completely unwound from Lid Assy. during operation.

- Do not use with damaged cord or plug. If appliance is not working as it should, has been dropped, damaged, left outdoors, or dropped into water, return to service center.
- Do not pull or carry by cord, use cord as handle, close a door on cord, or pull cord around sharp edges or corners. Do not run appliance over cord. Keep cord away from heated surfaces.
- Do not unplug by pulling cord. To unplug, grasp the plug, not the cord.
- Do not handle plug or appliance with wet hands.

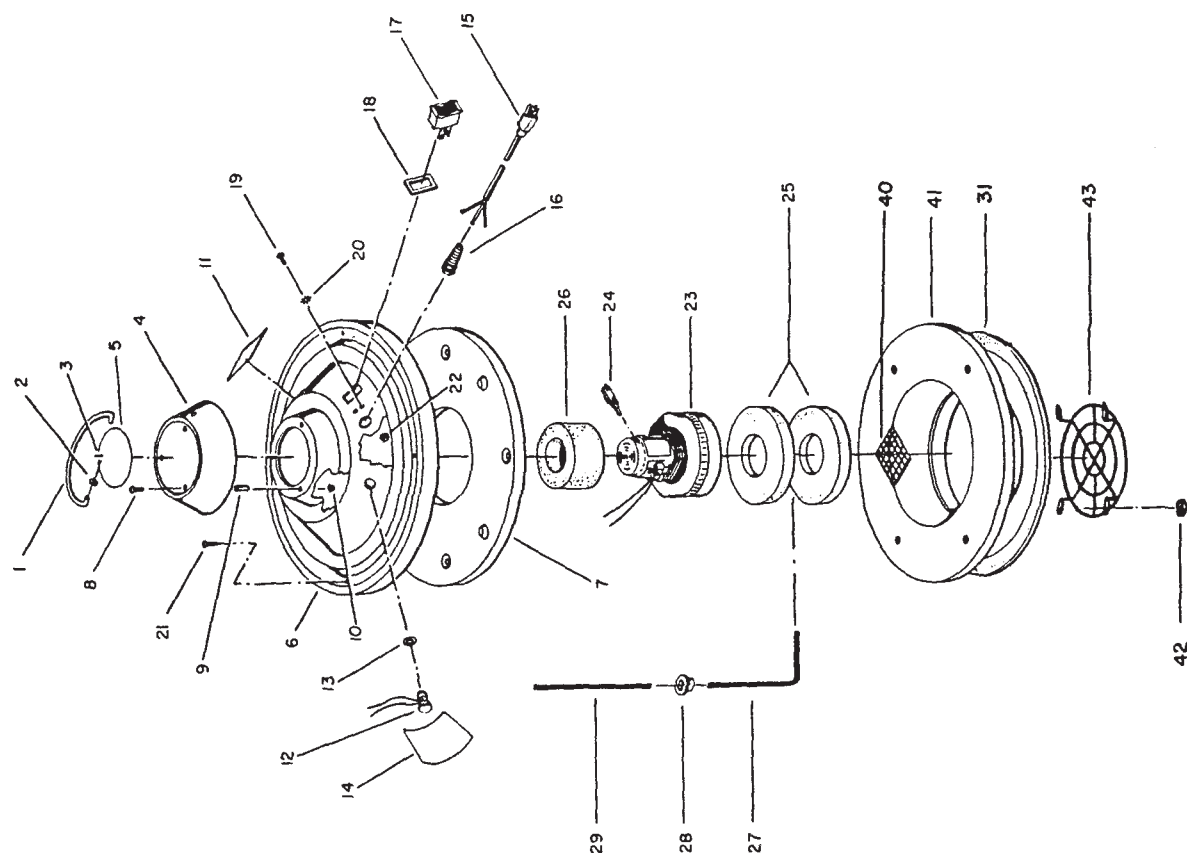
Always unplug the machine when removing the motor head off the tank. This equipment should be stored indoors and not exposed to rain.

OPTIONAL INDUSTRIAL TOOLS AND ACCESSORIES

A		<p>800022 800023 800175MCH</p>	<p>5" Rd Dust Brush Complete Bristle Insert 5" Dust Brush HSG 5"</p>
B		<p>800034</p>	<p>24" Crev Tool Aluminum, Complete</p>
C		<p>800015</p>	<p>Wand Assy 1-1/2, Complete</p>
D		<p>800017 800064 800019</p>	<p>Set Tube, High-up 10' 5' Tube Lower Section 5' Section Upper</p>
E		<p>800270</p>	<p>Swivel, Hose End Exp, Complete</p>
F		<p>800276</p>	<p>Hose Neo Grd Assy 1.5x12', Complete</p>
G		<p>800032 711006 800033 800193POL</p>	<p>6" Curved Pipe Tool, Complete Set Screw Bristl Insert Curved 6" 6" Curved Pipe Tool</p>
H		<p>800072 710356 710357 800187PTD 800217 800218</p>	<p>12" Gulper Tool, Complete SCR-MC 10-32 x .62 SCR-MC 10-32 x .75 Gulper Nozzle Fibre Shoe Rear Fibre Shoe Front</p>
I		<p>800108 710530 800003MCH 800178PTD</p>	<p>14" Fibre Tool Complete Screw 8/32 x 1/2 Brass Fibre Shod Tool Casting</p>
J		<p>800038 800029</p>	<p>6" Tool W/Handle Tube, Complete Bristle Insert Replacement</p>
K		<p>800109 710330 800121 800178PTD 800239 800240</p>	<p>14" Squeege, Complete SCR-SC 8-32 x .62 14" Retaining Strip Casting, Tool MCH Blade Squeege Wide Blade Squeege Narrow</p>



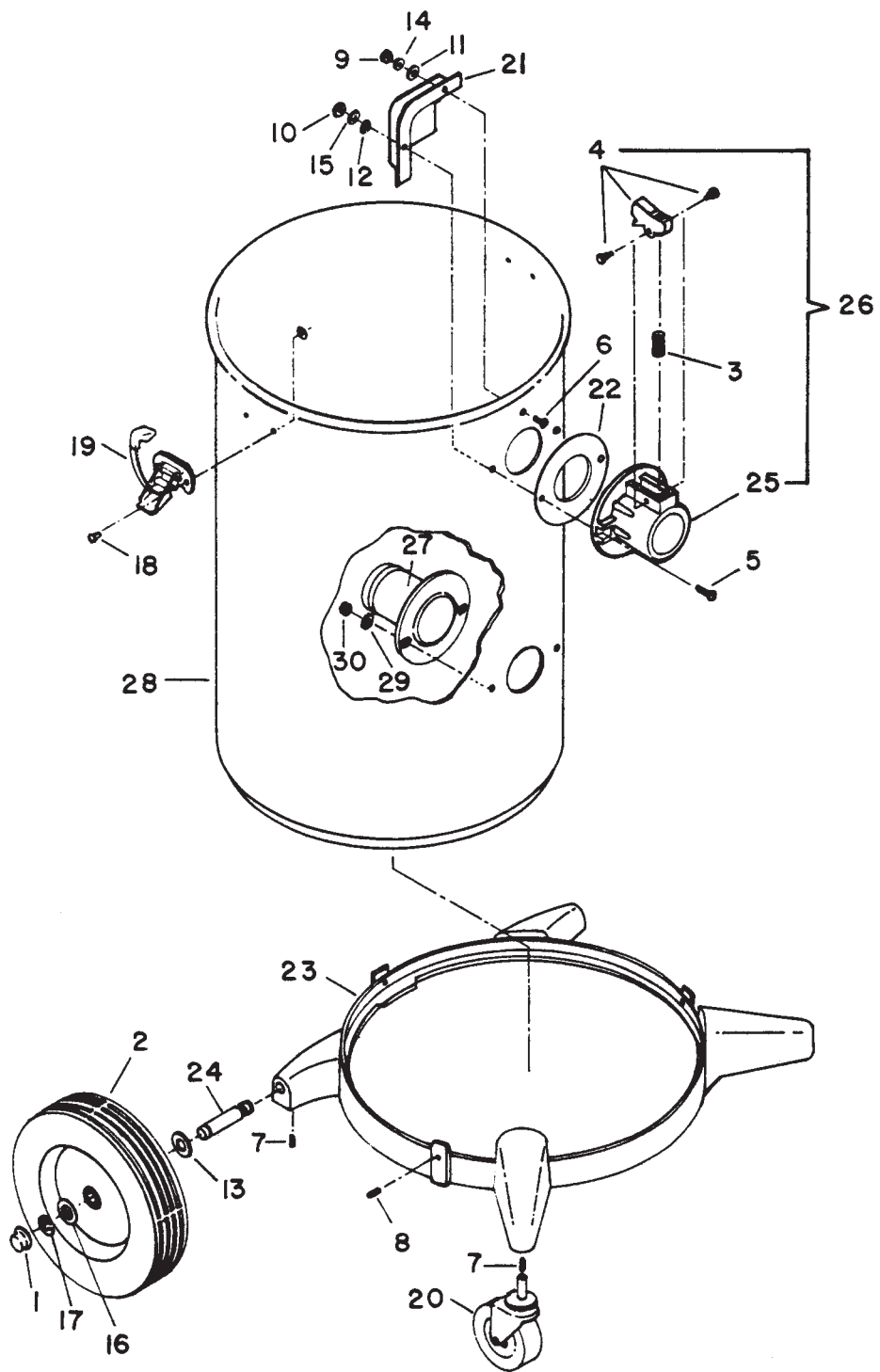
Wet and Dry Pickup



Dry Pickup Only

# PARTS LIST

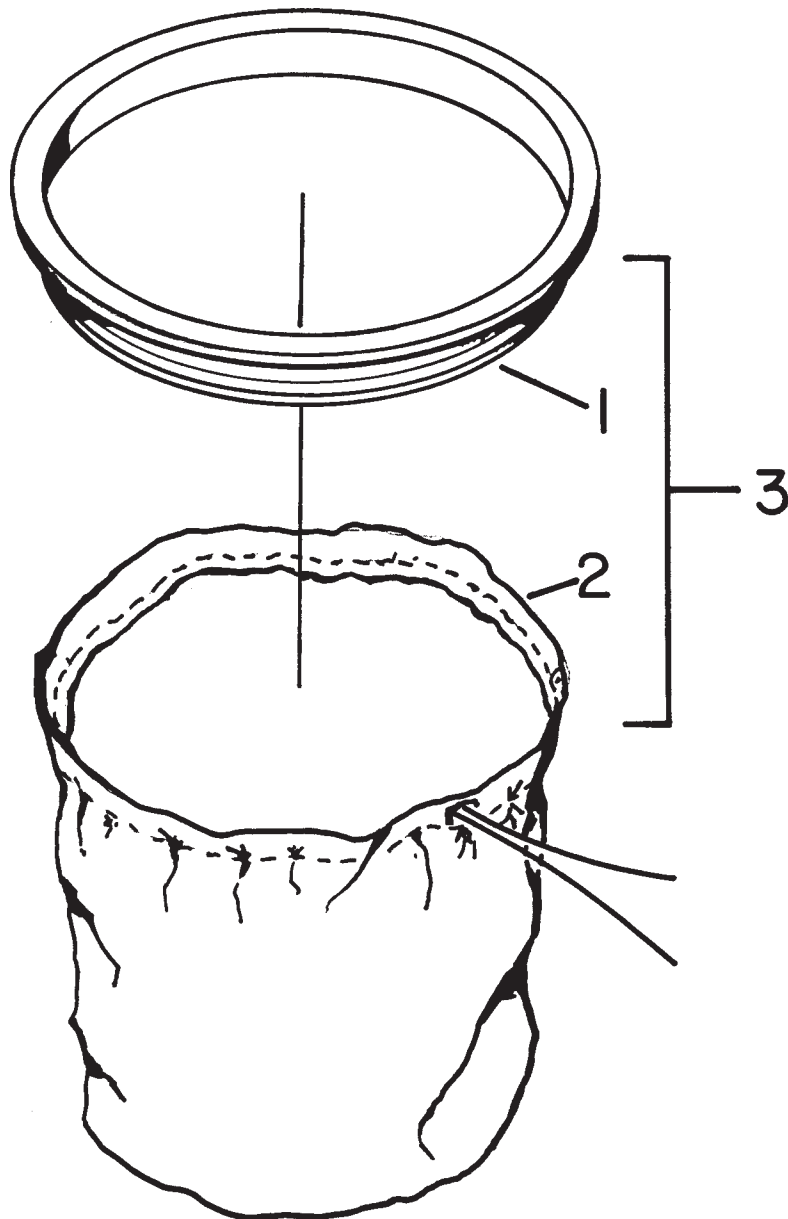
ITEM	PART NO.	QTY.	DESCRIPTION	ITEM	PART NO.	QTY.	DESCRIPTION
1	827743	1	Handle	23	380001	1	Vac Mtr Bypass 85" 115V
2	711505	2	WSR - Flat 1/4	24	380028	2	Carbon Brush Repl.
3	805073	2	Pin Cotter	25	828995	2	Gsk. Neop. 2.5 x 6 x .62
4	831480	1	Motor Cap	26	380064	1	Ring, Foam
5	715127	1	Decal Color Bar P85	27	760213	1	Venturi Tube
6	760243PLT	1	Mtr Lid Cover PV6 Plated	28	760904	1	Snub Bushing K375 x 125
7	760242PLT	1	Mtr Hold Down P85 PLT	29	760212	1	Vac Sensor Tube
8	712823	3	SCR-THMS 10-24 x 1.00 ST PL	30	760241PLT	1	Mtr Pan PV6 Plated
9	831652	3	Spacer	31	760225	1	Gskt Lid 390 Series New
10	712908	3	Nut-Flanged Wizz 10-24	32	831576	1	Decal Warning CK Screen
11	715086	1	Decal Warning PV W/D	33	760240	1	Float Cage PV6
11a	715115	1	Decal Warning PV Dry	34	750124	1	Float Asy Comp. 4/6 Gal
12	740088	1	Vac Light Sensor SW 115V	35	712569	1	SCR-MC 1/4-20 x 1.50 SS
13	711715	1	Retaining Ring-Ext .75	36	711506	1	WSR-Flat 5/16 ST PL
14	715069	1	Decal Check Filters	37	712667	1	Nut-Hex 1/4-20 SS Nyloc
15	381020	1	Orange Cord Set 16-3 50'	38	760480	1	Lint Trap
16	833237	1	Strain Relief	39	760479	1	Retainer Spring
17	809754	1	Switch Rocker	40	807051	1	Screen SS 85/105
18	831543	1	Gasket Switch	41	760248	1	Mtr Tank Lid w/Studs
19	710355	2	SCR-MC 10-32 x .50 ST PL	42	711373	4	Nut-Nyloc 1/4-20
20	711553	2	WSR-Internal Lock #10	43	384001PLT	1	Bag Guard New/Style
21	711126	4	SCR-ST-B 10 x .75	***	394115		Lid Asy Comp. P85 Dry 115
22	711310	2	Nut-Hex 10-32 ST PL	***	396115		Lid Asy Comp. P85 W/D 115





## PARTS LISTING

Item	Part No.	Qty.	Description
1	130032	2	Cap, Retainer
2	170047	2	Wheel 6"
3	390002	1	Spring .275 O.D.
4	390001	1	Trigger with Pins
5	712824	2	SCR-MC 10-24 x .75 ST PL
6	710530	1	SCR-MC 8-32 x .50 Brass
7	711005	4	SCR-SK 1/4-20 x .31
8	711006	3	SCR-MC 1/4-20 x .62
9	711304	1	Nut-Hex 8-32 ST PL
10	711310	2	Nut-Hex 10-32 ST PL
11	711502	1	WSR, Flat #8
12	711503	1	WSR, Flat #10
13	711582	2	WSR Wave .50 x .75 x .02
14	711542	1	WSR, Loc #8
15	711543	2	WSR, Helical Loc #10
16	711594	2	WSR, Flat .56 x .88 x .03 NI
17	711713	2	Retaining Ring-E Ext .50
18	711915	4	Rivet .19 x .28 x .37HD STNI
19	761054	2	Latch
20	900033	2	Caster, Swivel
21	900035	1	Deflector, Intake
22	390087	1	Gasket
23	900055PTD	1	Bracket, Wheel 4/6 Gal.
24	900066	2	Axle, Plated
25	390000	1	Intake, Injection Molded
26	390100	1	Intake, Injection Molded Comp.
27	750118	1	Tube Assy.
28A	900107	1	Tank, 4 Gal SS High Intake
28B	900083	1	Tank, 4 Gal PTD High Intake
28C	900093	1	Tank, 6 Gal SS Low Intake
28D	900092	2	Tank, 6 Gal PTD Low Intake
29	712320	2	Washer-Nylon .22 x .45 x .04
30	712638	2	Nut-Nyloc 10-24
****	805041	1	Cloth Filter 6 Gal
****	805044	1	Cloth Filter 4 Gal
****	761177PKG	1	Paper Filter Protector (12)
****	384003PKG	1	Disposable Paper Bag (10)
****	380049PLT	1	Bag Frame

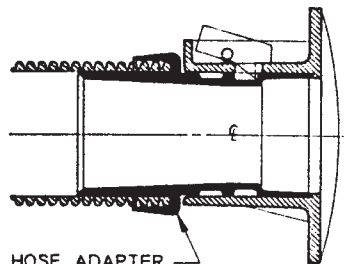


### PARTS LIST

ITEM	PART NO.	QTY.	DESCRIPTION
1	760244	1	Molded Bag Ring
2	805043	1	Cloth Filter 4 Gallon
2a	805040	1	Cloth Filter 6 Gallon
3	805044	1	Bag Asy Complete 4 Gallon
3a	805041	1	Bag Asy Complete 6 Gallon

HOSE ASSEMBLY COMPLETE

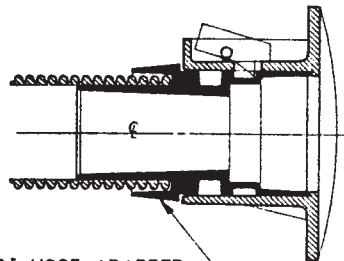
800309	2" X 10'	CRUSH PROOF
800310	2" X 15'	CRUSH PROOF
800311	2" X 25'	CRUSH PROOF
800312	2" X 10'	NEOPRENE
800313	2" X 15'	NEOPRENE
800314	2" X 25'	NEOPRENE



390020 - 2" HOSE ADAPTER

HOSE ASSEMBLY COMPLETE

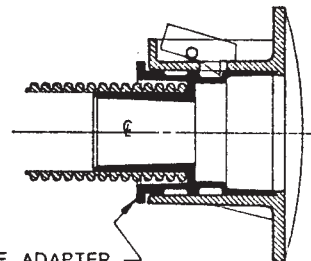
800303	1-1/2" X 10'	CRUSH PROOF
800304	1-1/2" X 15'	CRUSH PROOF
800305	1-1/2" X 25'	CRUSH PROOF
800306	1-1/2" X 10'	NEOPRENE
800307	1-1/2" X 15'	NEOPRENE
800308	1-1/2" X 25'	NEOPRENE



390015 - 1-1/2" HOSE ADAPTER

HOSE ASSEMBLY COMPLETE

800300	1-1/4" X 10'	CRUSH PROOF
--------	--------------	-------------

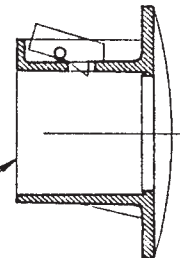


390012 - 1-1/4" HOSE ADAPTER



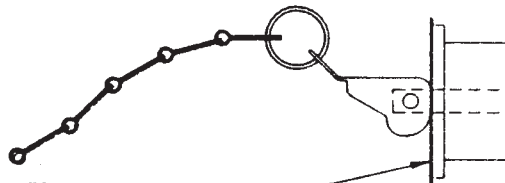
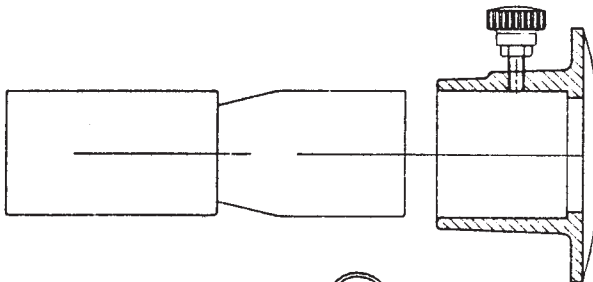
390038 ADAPTER PLUG ASSY  
FOR INJECTION MOLDED  
INTAKE (390100)

390100 INJECTION  
MOLDED INTAKE COMPLETE  
WITH PINS



TANK SWIVEL  
CUFF ADAPTER

804003	1-1/4"
801014	1-1/2"



750402 PLUG ASSY  
FOR ALUMINUM INTAKE

# LIMITED WARRANTY

Minuteman International, Inc. warrants to the original purchaser/user that this product is free from defects in workmanship and materials under normal use and service for a period of three years from date of purchase. In addition, Minuteman International, Inc. will, at its option, honor labor warranty claims for the first 12 months from date of sale, provided such claims are submitted through and approved by factory authorized repair stations. Minuteman International, Inc. will, at its option, repair or replace without charge, except for transportation costs, parts that fail under normal use and service when operated and maintained in accordance with the applicable operation and instruction manuals.

This warranty does not apply to normal wear, or to items whose life is dependent on their use and care, such as belts, cords, switches, hoses, rubber parts, electrical motor components or adjustments. Parts not manufactured by Minuteman International, Inc. such as engines, batteries, battery chargers, hydraulic pumps, and tires are covered by and subject to the warranties and/or guarantees of their manufacturers. Please contact Minuteman International, Inc. for procedures in warranty claims against these manufacturers.

**Special warning to purchaser** — Use of replacement filters and/or prefilters not manufactured by Minuteman International, Inc. or its designated licensees, will void all warranties expressed or implied.

A potential health hazard exists without exact original equipment replacement.

All warranted items become the sole property of Minuteman International, Inc. or its original manufacturer, whichever the case may be.

Minuteman International, Inc. disclaims any implied warranty, including the warranty of merchantability and the warranty of fitness for a particular purpose. Minuteman International, Inc. assumes no responsibility for any special, incidental or consequential damages.

This limited warranty is applicable only in the U.S.A. and Canada, and is extended only to the original user/purchaser of this product. Customers outside the U.S.A. and Canada should contact their local distributor for export warranty policies. Minuteman International, Inc. is not responsible for costs or repairs performed by persons other than those specifically authorized by Minuteman International, Inc. This warranty does not apply to damage from transportation, alterations by unauthorized persons, misuse or abuse of the equipment, use of non-compatible chemicals, or damage to property, or loss of income due to malfunctions of the product.

If a difficulty develops with this machine, you should contact the dealer from whom it was purchased.

This warranty gives you specific legal rights, and you may have other rights which vary from state to state. Some states do not allow the exclusion or limitation of special, incidental or consequential damages, or limitations on how long an implied warranty lasts, so the above exclusions and limitations may not apply to you.

## ***Minuteman***<sup>®</sup>

**World Headquarters**  
Minuteman International, Inc.  
111 South Rohlwing Road  
Addison, Illinois 60101

Minuteman Canada, Inc.  
2210 Drew Road  
Mississauga, Ontario  
L5S 1B1

(630) 627-6900  
FAX (630) 627-1130

(905) 673-3222  
FAX (905) 673-5161

987307  
Printed in U.S.A.